

SPARE PARTS EXPLODED VIEW GAS-WALL BOILER ATM. BURNER

Model

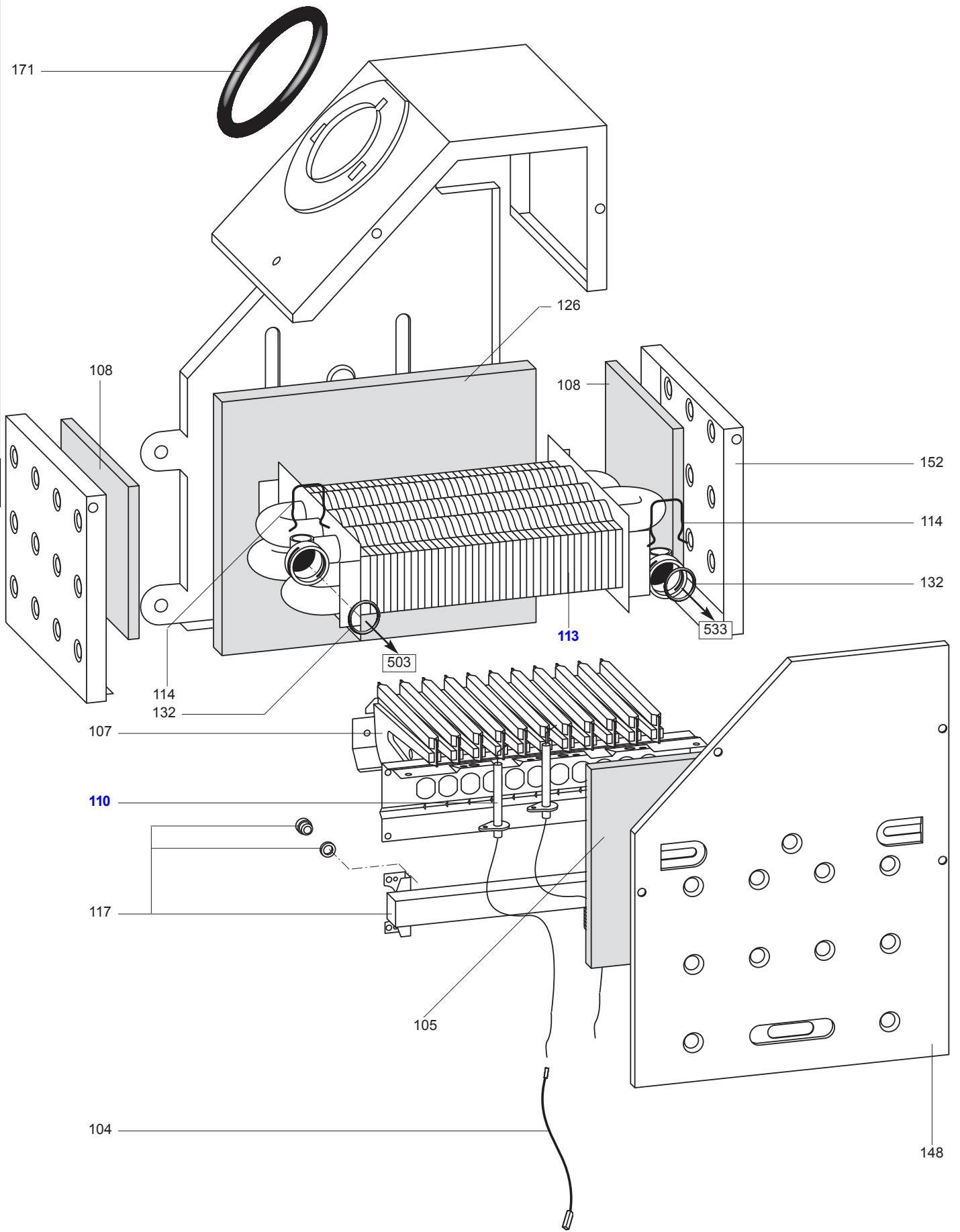
UNO 24MFFI/MI

R8216080-03 - 30/12/2013

UNO

Gas-wall boiler atm. burner

1	537632	UNO 24 MFFI met (PL, CZ, UCR, UN)	04-2003	10-2008
1	537633	UNO 24 MFFI GPL (PL, CZ, UCR)	04-2003	06-2004
1	537255	UNO 24 MFFI (RO) met.	02-2003	03-2007
1	537256	UNO 24 MFFI (RO) GPL	02-2003	06-2004
1	537636	UNO 24 MFFI met (TK, RU,BA)	04-2003	10-2008
1	537637	UNO 24 MFFI GPL (TK, RU)	04-2003	06-2004
2	537630	UNO 24 MI met (PL, CZ, UCR, UN)	04-2003	10-2008
2	537631	UNO 24 MI GPL (PL, CZ, UCR)	04-2003	06-2004
2	537257	UNO 24 MI (RO) MET.	02-2003	10-2005
2	537258	UNO 24 MI (RO) GPL	02-2003	06-2004
2	537634	UNO 24 MI met (TK, RU)	04-2003	02-2008
2	537635	UNO 24 MI GPL (TK, RU)	04-2003	06-2004
Col	Reference	Model type	Begin	End



☺	Description	Manf. Pt. N	Type	M/F/P/																		From	to
				1	2	3	4	5	6	7	8	9	10	11	12	13	14	15	16	17	18		
0100	SEALED CASE																						
0104	CABLE (IONIZATION ELECTRODE)	990403		●																			
0105	PANEL (INSULATION - FRONT/REAR)	995950		●																			
0107	BURNER (11 RAMP)	995943		●																			
0108	PANEL (INSULATION - SIDE)	995951		●																			
0110	ELECTRODE (IGNITION/IONIZATION)	990436		●																			
0113	EXCHANGER	65100425		●																			
0114	HEAT EXCHANGER CONNECTOR FORK GAS	990380		●																			
0117	MANIFOLD (WITH JET - LPG)	991907	LG	●																			
	GAS MANIFOLD (WITH JET - NG)	991908	NG	●																			
0126	PANEL (INSULATION - REAR)	65100426		●																			
0132	O-RING	998424		●																			
0148	COVER (COMBUSTION CHAMBER)	990402		●																			
0152	PANEL (COMBUSTION CHAMBER - R.H. SIDE)	990400		●																			
0171	SEAL (SILICONE - D=5 MM)	990368		●																			

100

172

163

129

170

108

132

114

117

154

104

138

108

113

107

132

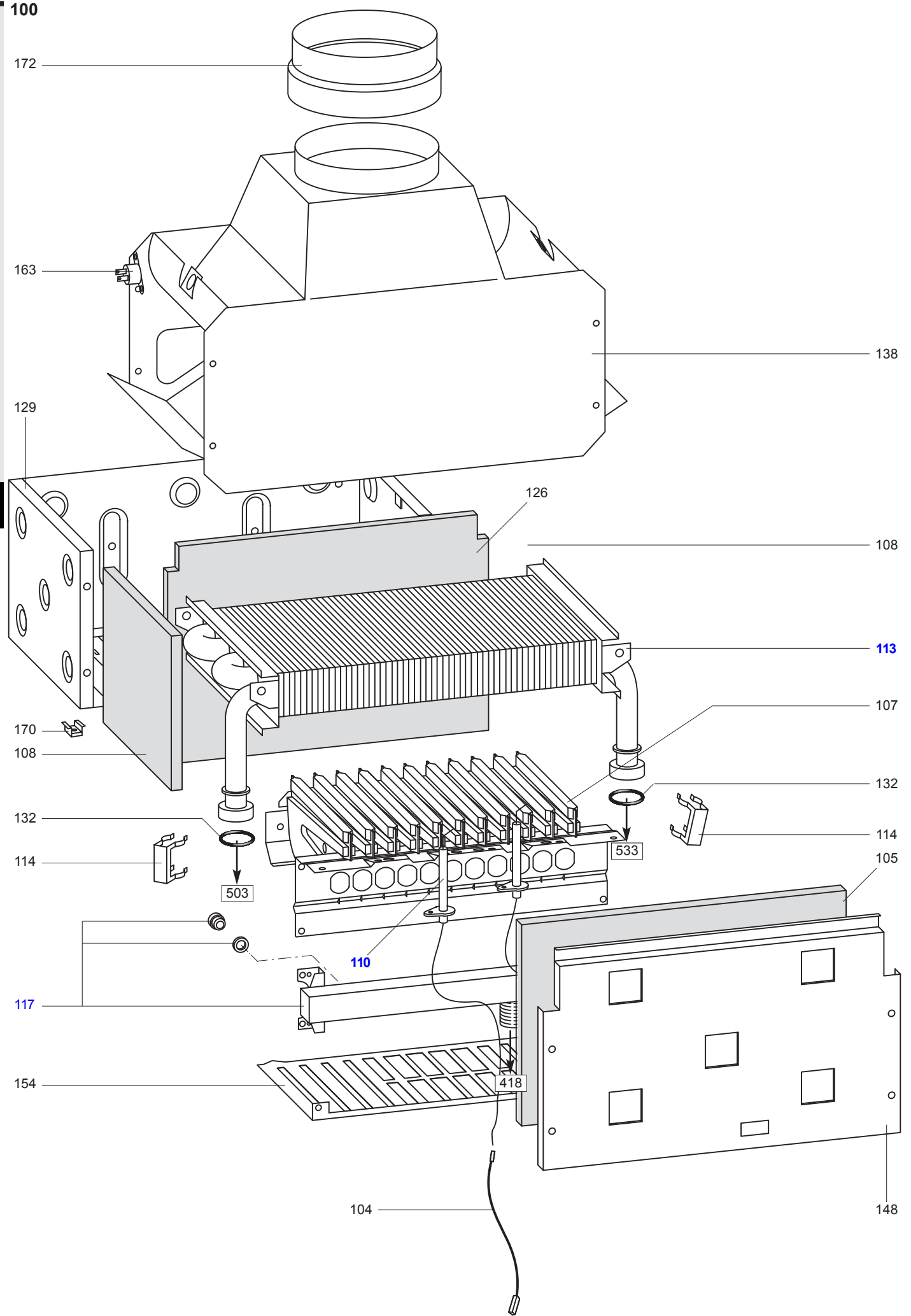
114


105

148

UNO

Gas-wall boiler atm. burner



☰	Description	Manf. Pt. N	Type	<div style="display: flex; justify-content: space-between;"> MFFI MV </div>														From	to
				<div style="text-align: center;">  </div>															

				1	2	3	4	5	6	7	8	9	10	11	12	13	14	15	16	17	18		
0100	SEALED CASE																						
0104	CABLE (IONIZATION ELECTRODE)	990403			●																		
0105	PANEL (INSULATION - FRONT)	992197			●																		
0107	BURNER 12 RAMP	992188			●																		
0108	PANEL (INSULATION - SIDE)	992199			●																		
0110	ELECTRODE (IGNITION/IONIZATION)	990436			●																		
0113	HEAT EXCHANGER	61010017			●																		
0114	CLIP	61010609			●																		
0117	GAS MANIFOLD (COMPLETE - LPG) GAS	992202	LG		●																		
	MANIFOLD (COMPLETE - NG) PANEL	992201	NG		●																		
0126	(INSULATION - REAR)	992198			●																		
0148	FRONT PANEL (COMBUSTION CHAMBER)	992180			●																		
0154	PROTECTION SCREEN	992181			●																		
0163	BACK COMBUSTION CHAMBER	65102479			●																	08/06	
0170	NUT (M4)	992174			●																		
0172	REDUCER (FLUE HOOD)	992182			●																		

☞	Description	Manf. Pt. N	Type	MFFI MW																		From	to		
				1	2	3	4	5	6	7	8	9	10	11	12	13	14	15	16	17	18				
0200	FAN ASSEMBLY																								
0201	SUPPORT PLATE	990373		•																					
0202	GASKET (AIR PRESSURE SWITCH)	65101317		•																					
0206	FAN	995897		•																					
0207	EARTH CABLE (FAN)	990375		•																					
0208	GASKET (FAN)	573343		•																					
0210	AIR INTAKE COVER	573329		•																					
0214	COMPENSATION TUBE	573576		•																					
0216	AIR PRESSURE SWITCH 55 Pa	998484-01		•																					
0300	CHASSIS-FRONT CASE																								
0302	CASE (COMPLETE - ASSEMBLED)	65100724		•																					
0303	RESTRICTOR (D=42)	998087		•																					
0304	FLUE (EXHAUST MANIFOLD/HEADER)	65100553		•																					
0305	AIR RETURN MANIFOLD	990370		•																					
0306	AIR RETURN COVER	991821		•																					
0307	GASKET (AIR RETURN COVER)	65101291		•																					
0308	D = 4 CAM FIXING ELEMENT	990351		•																					
0309	CLOSING CASING CAM (L.H.) CASING	990352		•																					
0310	HOOK (L.H.)	990353		•																					
0311	CASE PANEL HOOK	999882			•																				
0314	CABLE-HITCH	990354		•																					
0315	CABLE HOLDER	570772			•																				
	CABLE INLET RUBBER WASHER	990355		•																					
0316	CLOSING CASING CAM (R.H.) CASING	990372		•																					
0317	HOOK (R.H.)	990371		•																					
0319	SPRING (FASTENING)	570717			•																				
0321	GASKET 3/8"	573521		•	•																				
0322	COVER (FLUE TEST POINT) GASKET	998565		•																					
0323	(FLUE TEST POINT)	998636		•																					
0324	PIPE (EXPANSION VESSEL)	991829		•																					
	PIPE (EXPANSION VESSEL)	992178			•																				
0327	EXPANSION VESSEL	998616			•																				
	EXPANSION VESSEL (7 L. STD)	65101719		•																					
0338	BUSH (EXPANSION VESSEL)	998776			•																				
0339	3/8 LOCK NUT	998581			•																				
0340	CONNECTORS COVER KIT	65101292		•	•																				
0341	COMPLETED INSULATION PANEL	65157085		•	•																				
0342	CASE PANEL (L.H. SIDE)	992187			•																				
0344	CASE PANEL (FRONT)	65100768			•																				
0345	CASE PANEL (R.H. SIDE)	992186			•																				
0347	FIXING BRACKET (CASE PANEL)	65100431			•																				
0357	FLUE EXHAUST MANIFOLD	65101319		•																					
0400	GAS SECTION																								
0401	GAS VALVE (SIT 845 SIGMA)	65100516		•	•																				
0404	CABLE (EARTH)	992192			•																				
0405	GASKET (SPARK GENERATOR)	574279			•																				
0406	GASKET 3/4"	573520		•	•																				
0418	PIPE (GAS VALVE/BURNER)	990389		•																					

UNO Gas-wall boiler atm. burner

